

PRODUCT DATA SHEET

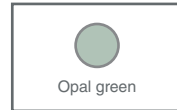
E-SO/6 - ECOLINE BEEO



CONSUMABLES

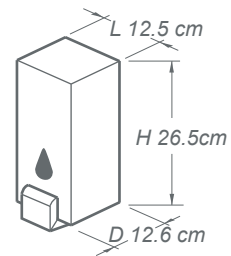


AVAILABLE COLORS



TECHNICAL DATA

- **Code:** E-SO/6
- **Description:** soap dispenser with refill bottle, hard cartridge and soft pouch
- **Capacity:** 1000 ml
- **Working system:** pressure
- **Delivery system:** piston
- **Soap dispensing unit:** 0,7 g
- **Recommended installation height:** 120 cm, from the floor to the dispenser bottom
- **Net weight:** 0,425 Kg



PRODUCTION AND SALES DETAILS

White PP Bio back, opal green PP Bio cover

SINGLE BOX VERSION

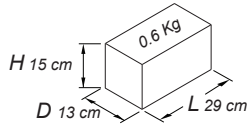
E-SO/6R-S	Refillable Bottle version
E-SO/6C-S	Hard Cartridge version
E-SO/6S-S	Soft Pouch version

MULTIPLE BOX VERSION

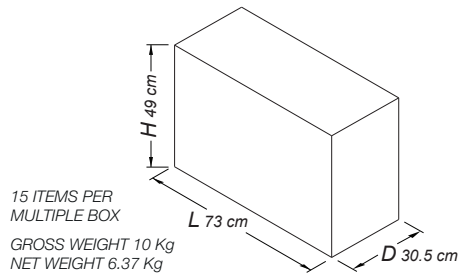
E-SO/6R	Refillable Bottle version
E-SO/6C	Hard Cartridge version
E-SO/6S	Soft Pouch version

PACKAGING

SINGLE PACKAGING

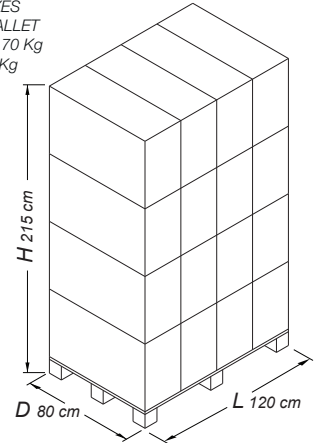


SINGLE BOXES PACKAGING



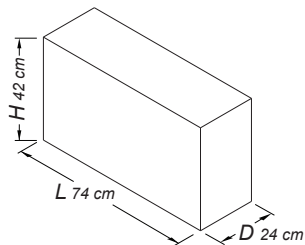
MULTIPLE PACKAGING (CONTAINING SINGLE BOXES) PALLET

16 MULTIPLE BOXES
240 ITEMS PER PALLET
GROSS WEIGHT 170 Kg
NET WEIGHT 102 Kg



MULTIPLE PACKAGING

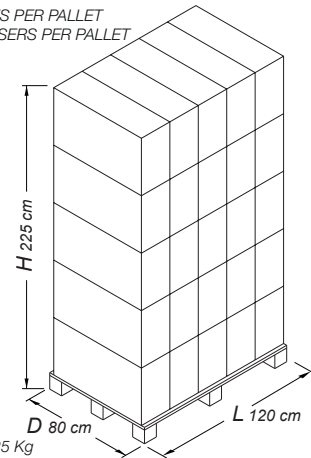
N° 17 DISPENSER
(each dispenser is packed in a single bag)



GROSS WEIGHT 8.75 Kg
NET WEIGHT 7.25 Kg

MULTIPLE PACKAGING PALLET

25 MULTIPLE BOXES PER PALLET
TOTAL 425 DISPENSERS PER PALLET



GROSS WEIGHT 225 Kg
NET WEIGHT 180 Kg

OPTIONS AND SPARE PARTS



For R - C version



For S version

